

VINYL SERIES 310 PICTURE WINDOWS

TEST SIZE W x H	AAMA RATING	AIR INFILTRATION	DESIGN PRESSURE	WATER RESISTANCE	U-VALUE	SHGC	VT
46.24" x 46.24"	R-PG45	≤0.30 cfm/ft ²	45 psf	N/A	0.23-0.47	0.20-0.64	0.38-0.67



TABLE OF CONTENT

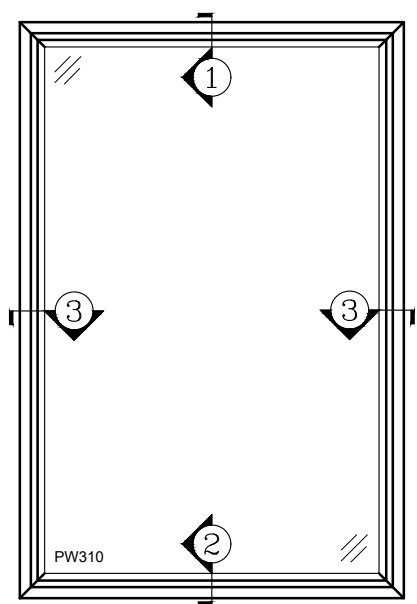
- INTRODUCTION -P1
- SECTION DETAILS -P2
- MULLIONS -P3
- ARCHITECTURAL SHAPES -P4

FEATURES

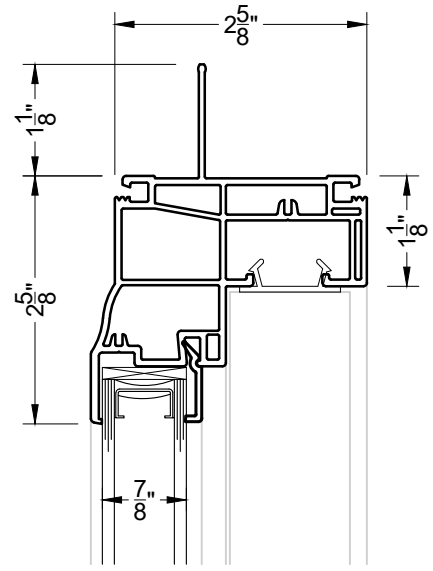
- 3-1/4" FRAME DEPTH
- 7/8" INSULATED GLASS
- SOFT COAT LOW-E & ARGON FILLED IGU
- FUSION WELDED FRAME
- INTEGRAL NAILING FIN
- DOUBLE-STRENGTH GLASS

OPTIONAL SELECTIONS

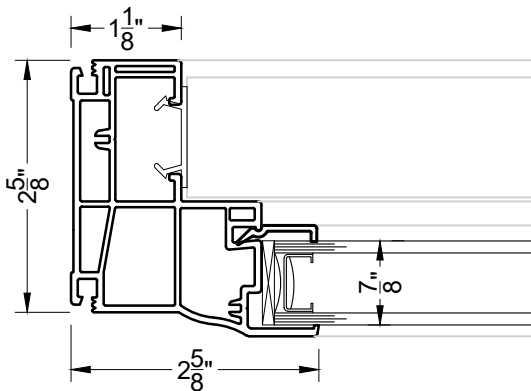
- TRIPLE-GLAED INSULATED GLASS UNIT
- PERFORMANCE TC™ HIGH PERFORMANCE LOW-E UPGRADE
- BETWEEN THE GLASS OR EXTERIOR APPLIED GRIDS
- ARCHITECTURAL SHAPES
- EXTRUDED BEIGE COLOR
- PAINTED EXTERIOR CUSTOM COLOR
- DURALITE® SPACER



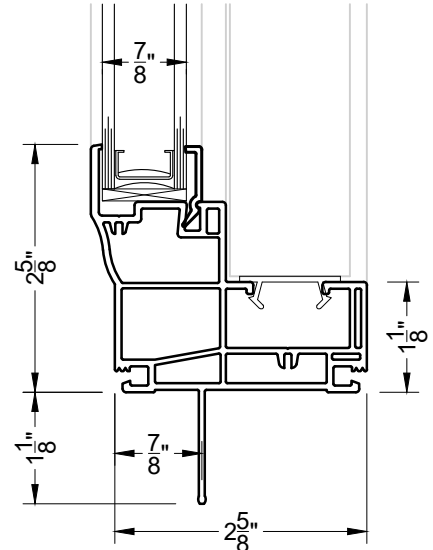
310 PICTURE WINDOW



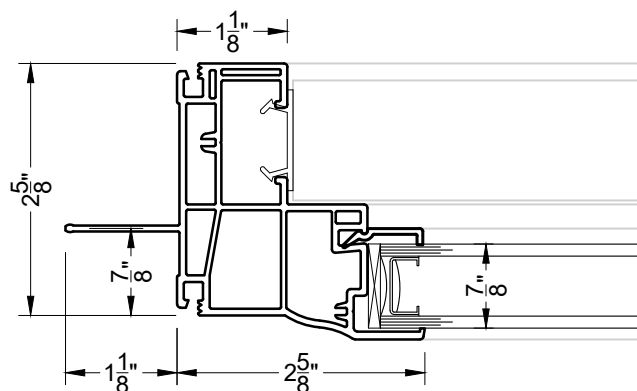
① HEAD
PW310



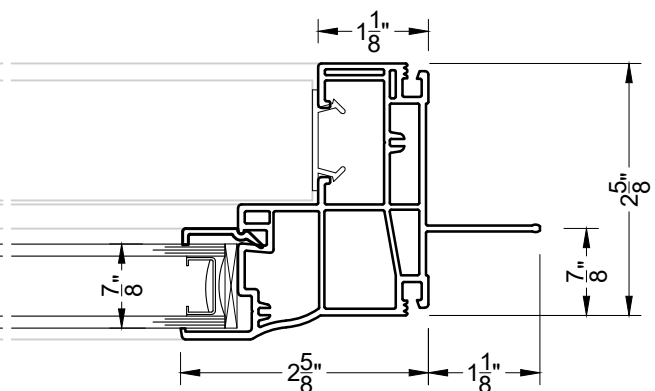
③A FRAME W/O NAILING FIN
PW 310
FOR REPLACEMENT CONSTRUCTION
OR MULLED UNIT



② SILL
PW 310

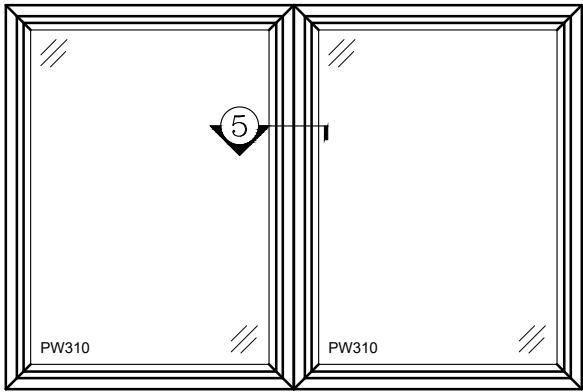


③ JAMB
PW 310

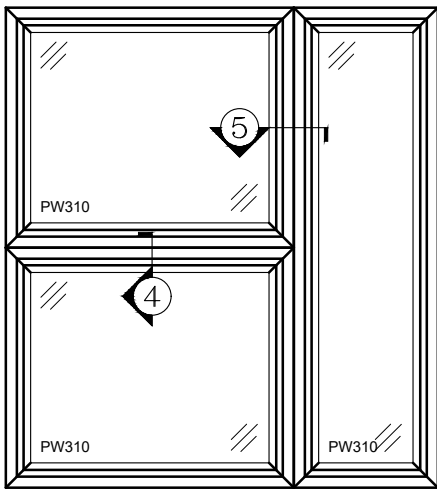
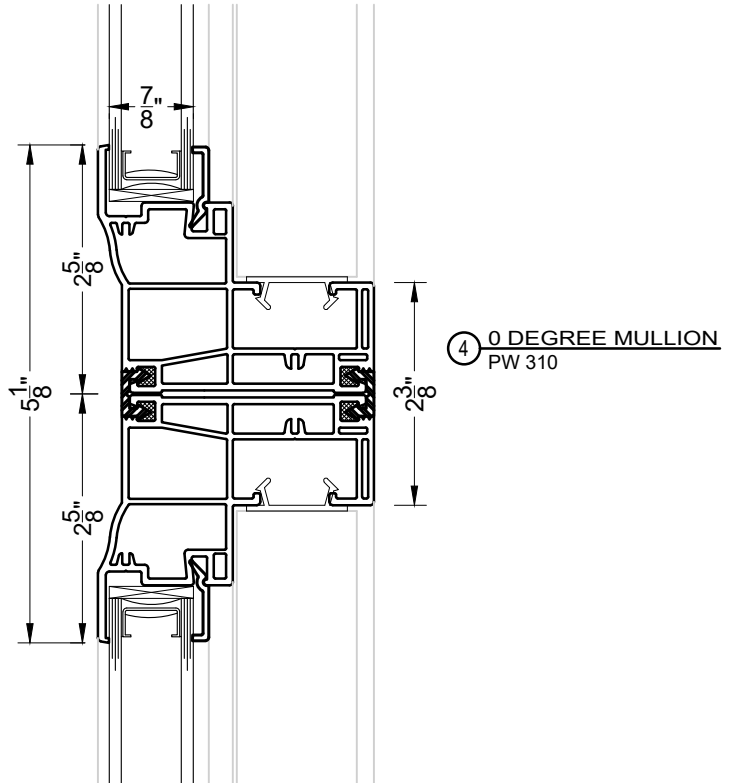


③ JAMB
PW 310

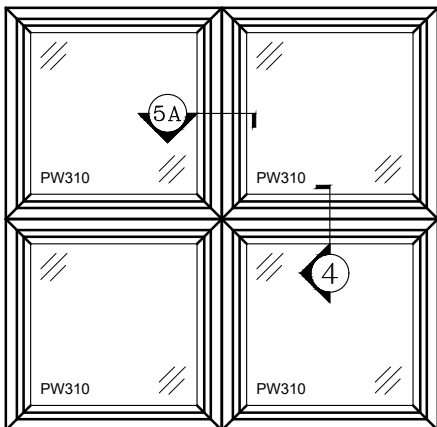
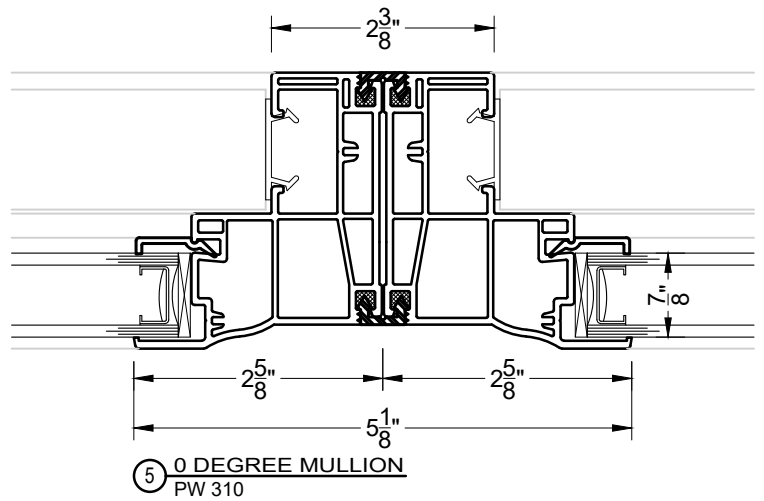
VER: 2020.08



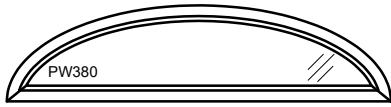
310 PICTURE WINDOW W/ 0° MULLION



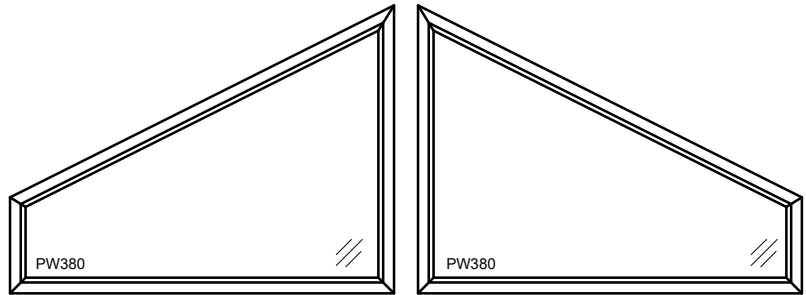
310 PICTURE WINDOW W/ 0° MULLION & H-MULLION



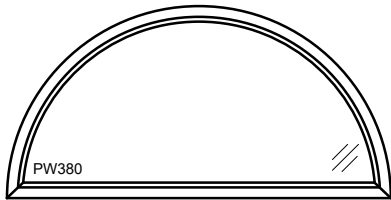
310 PICTURE WINDOW W/ 0° MULLION



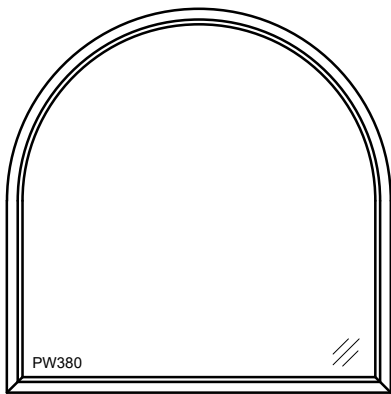
CAP 380-01 ELLIPSE



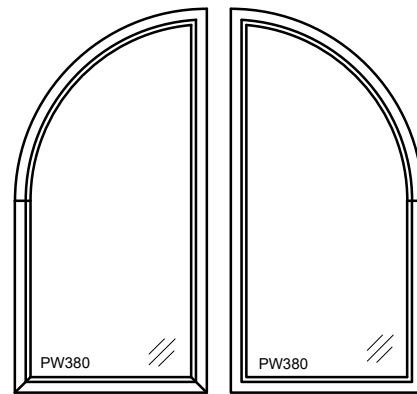
CAP 380-14 TRAPEZOID LEFT & RIGHT



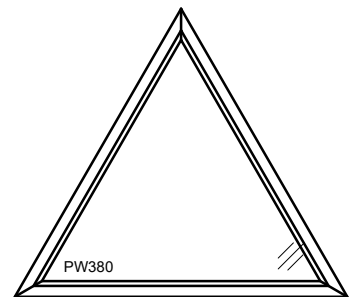
CAP 380-03 CIRCLE TOP



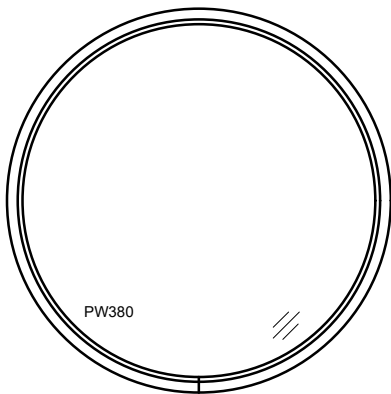
CAP 380-04 CIRCLE TOP
 W/ EXTENDED LEG



CAP 380-07 QUARTER ARCH
 W/ EXTENDED LEG



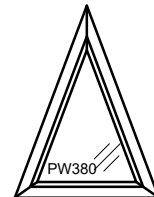
CAP 380-16 TRIANGLE
 EQUILATERAL



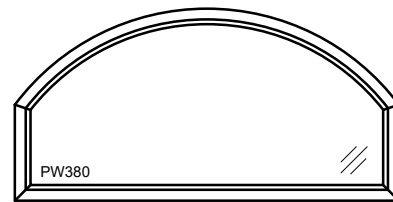
CAP 380-05 FULL CIRCLE



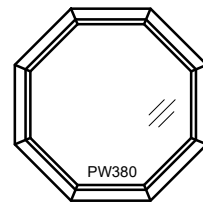
CAP 380-08 EYEBROW



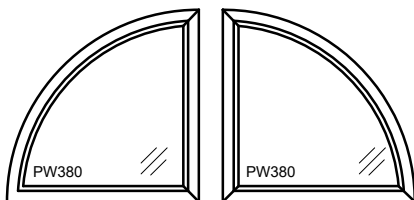
CAP 380-17 TRIANGLE
 ISOSCELES



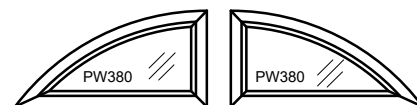
CAP 380-09 EYEBROW
 W/ EXTENDED LEG



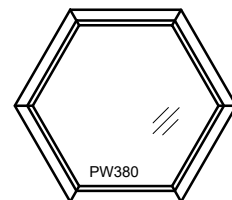
CAP 380-18 OCTAGON



CAP 380-06 QUARTER ARCH



CAP 380-10 HALF EYEBROW



CAP 380-20 HEXAGON