

VINYL SERIES 255 HOPPER WINDOWS



TABLE OF CONTENT

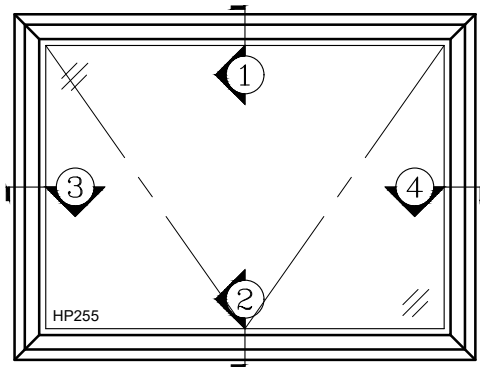
- INTRODUCTION -P1
- SECTION DETAILS -P2
- MULLION -P3-P5

FEATURES

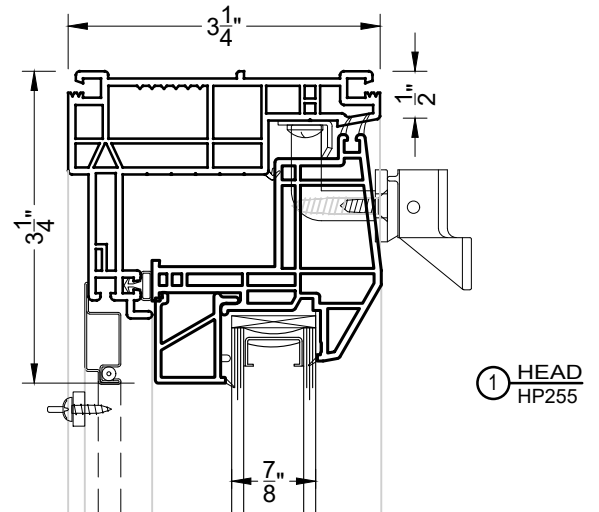
- 3-1/4" FRAME DEPTH
- 7/8" INSULATED GLASS
- SOFT COAT LOW-E & ARGON FILLED IGU
- FUSION WELDED FRAME & SASHES
- CONTINUOUS POLYETHYLENE RIGID SEAL
- STRONG MULTI-CHAMBER CONSTRUCTION
- DESIGNER BEVELED SASH
- TWO PIECE CAM TURN HANDLE LOCK

OPTIONAL SELECTIONS

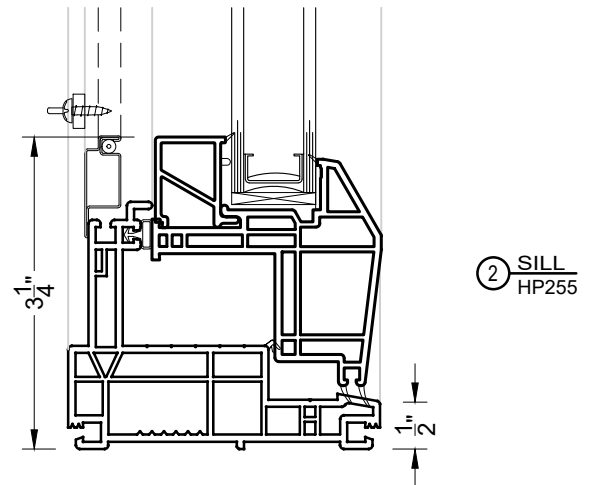
- TRIPLE-GLAZED INSULATED GLASS UNIT
- PERFORMA TC™ HIGH PERFORMANCE LOW-E UPGRADE
- BETWEEN THE GLASS OR EXTERIOR APPLIED GRIDS
- PAINTED EXTERIOR CUSTOM COLOR
- EXTRUDED BEIGE COLOR
- NAILING FIN ATTACHMENT
- SNAP-ON J-CHANNEL



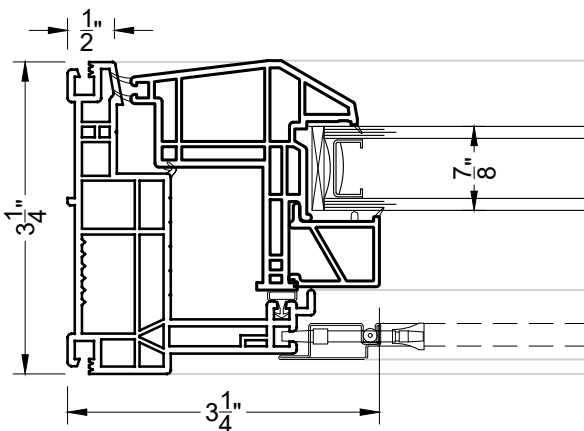
255 HOPPER DOWN WINDOW



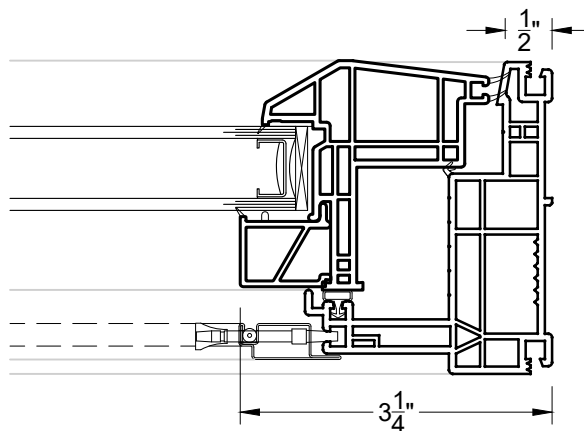
① HEAD
HP255



② SILL
HP255

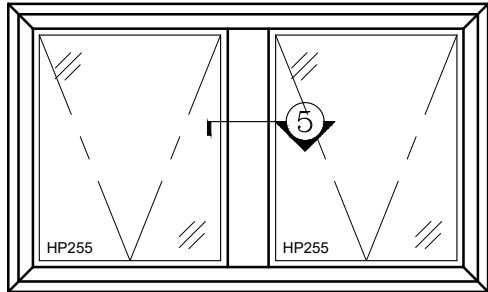


③ JAMB
HP255

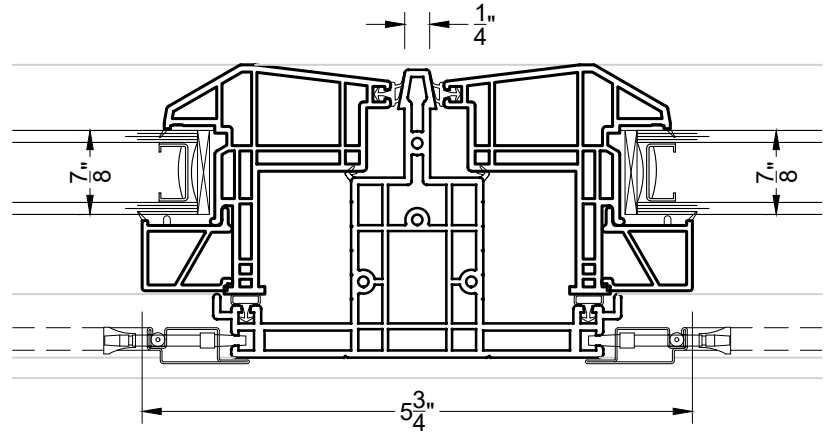


④ JAMB
HP255

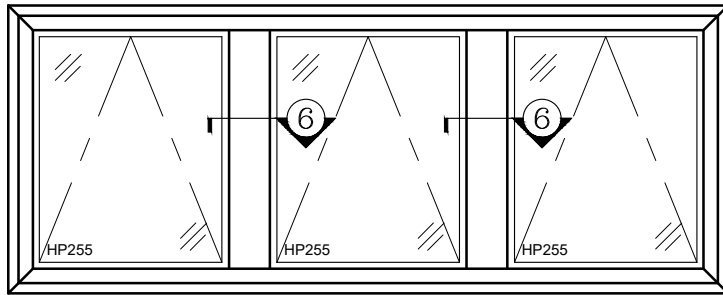
VER: 2020.08



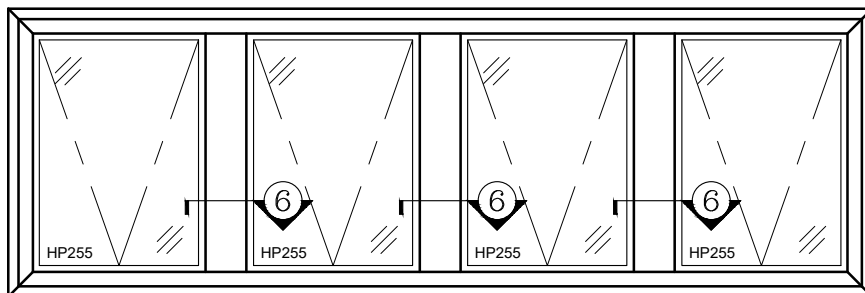
**255 HOPPER DOWN WINDOW
 CONTINUOUS MASTER FRAME - TWO LITE**



**5 T JAMB MULLION
 HP255 & HP255**

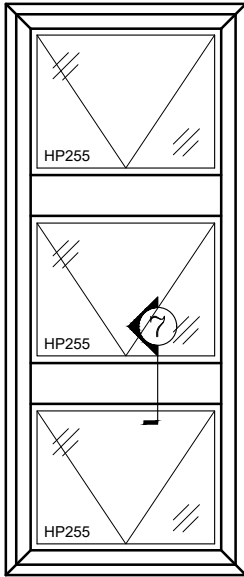


**255 HOPPER UP WINDOW
 CONTINUOUS MASTER FRAME - THREE LITE**

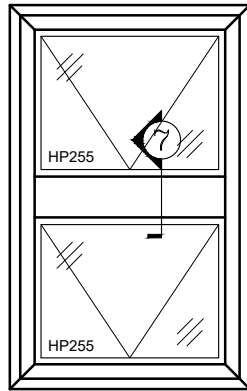


**255 HOPPER DOWN (OR UP) WINDOW CONTINUOUS MASTER FRAME
 FOUR LITE (UP TO FIVE LITE)**

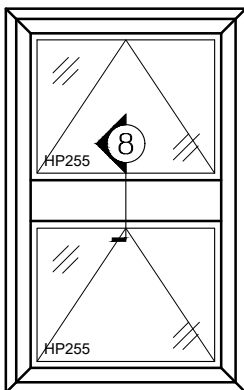
VER: 2020.08



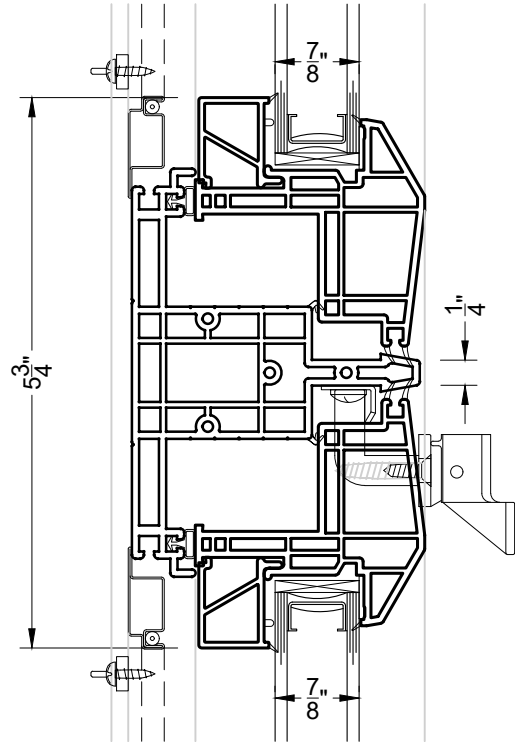
255 HOPPER DOWN



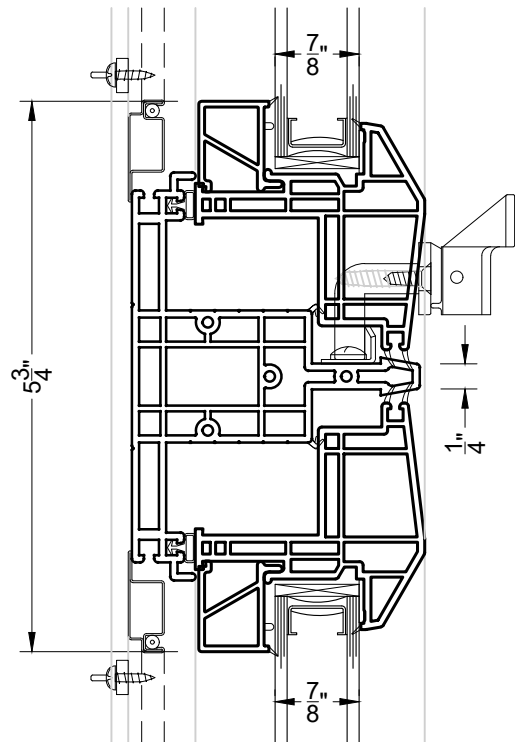
255 HOPPER DOWN



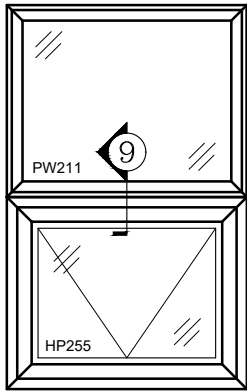
255 HOPPER UP



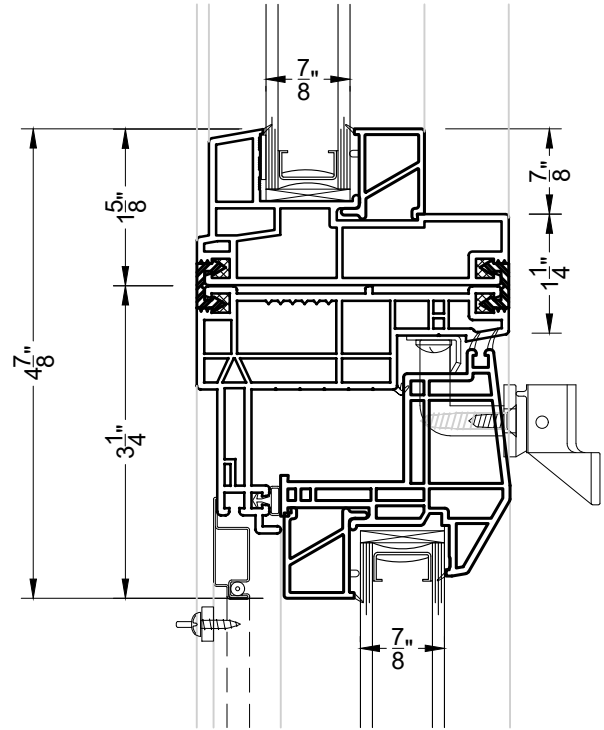
7 T MULLION
 HP255



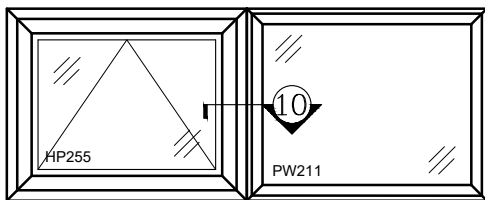
8 T MULLION
 255 HOPPER UP



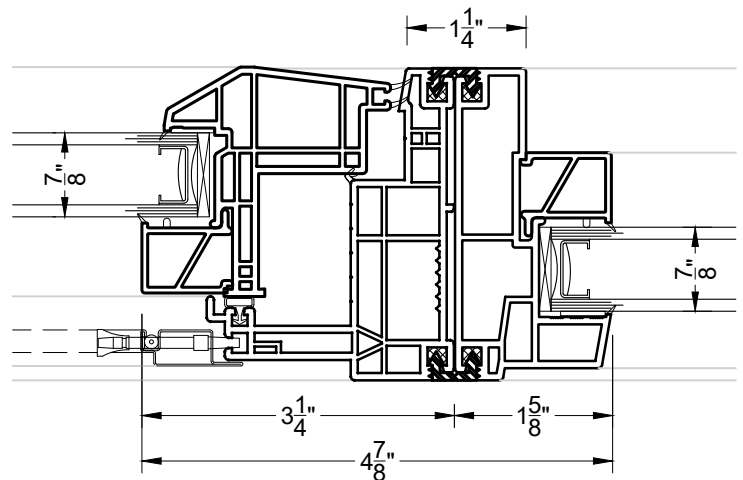
PW211 OVER HP255



9 0 DEGREE MULLION
 PW211 OVER HP255



255 HOPPER UP & PICTURE WINDOW 211



10 0 DEGREE MULLION
 HP255 & PW211

