

VINYL SERIES 340 2⁵/₈" HOPPER DOWN WINDOW

TEST SIZE W x H	AAMA RATING	AIR INFILTRATION	DESIGN PRESSURE	WATER RESISTANCE	U-VALUE	SHGC	VT
-	-	-	-	-	-	-	-



TABLE OF CONTENT

- INTRODUCTION -P1
- SECTION DETAILS -P2-P3
- MULLION -P4

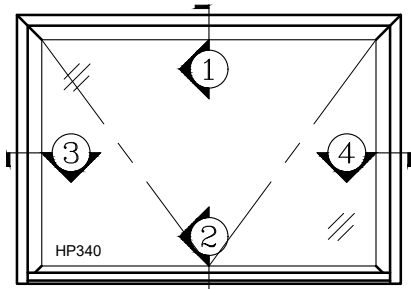


FEATURES

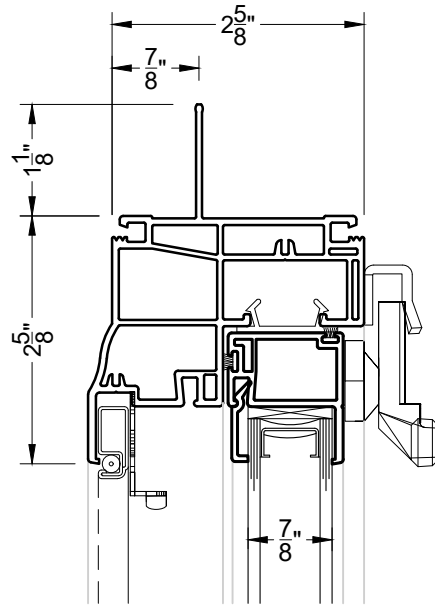
- 2-5/8" FRAME DEPTH
- 7/8" INSULATED GLASS
- SOFT COAT LOW-E & ARGON FILLED IGU
- STAINLESS STEEL HINGES
- FUSION WELDED FRAME & SASHES
- CONTINUOUS POLYETHYLENE RIGID SEAL
- TWO PIECE CAM TURN HANDLE
- INTEGRAL NAILING FIN

OPTIONAL SELECTIONS

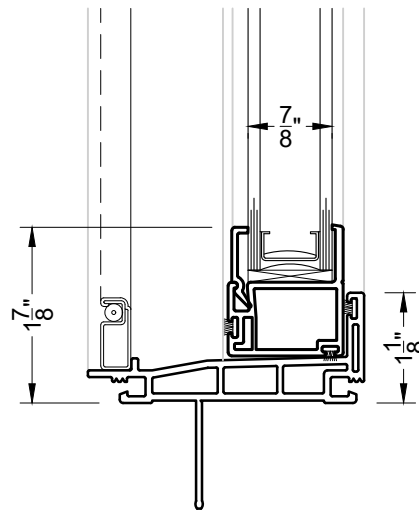
- TRIPLE-GLAZED INSULATED GLASS UNIT
- PERFORMA TCTM HIGH PERFORMANCE LOW-E UPGRADE
- BETWEEN THE GLASS OR EXTERIOR APPLIED GRIDS
- PAINTED EXTERIOR CUSTOM COLOR
- EXTRUDED BEIGE COLOR
- DURALITE® SPACER



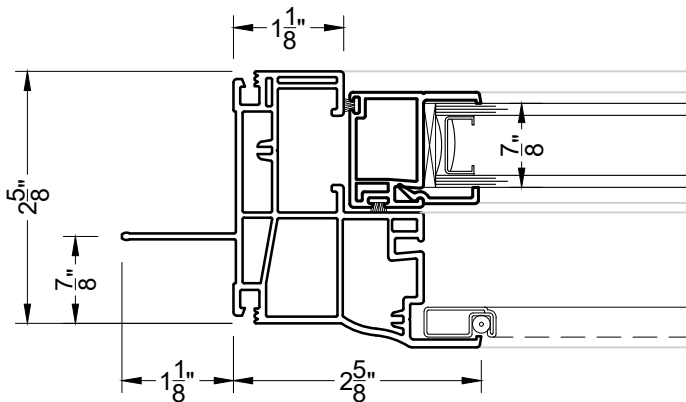
340 HOPPER DOWN



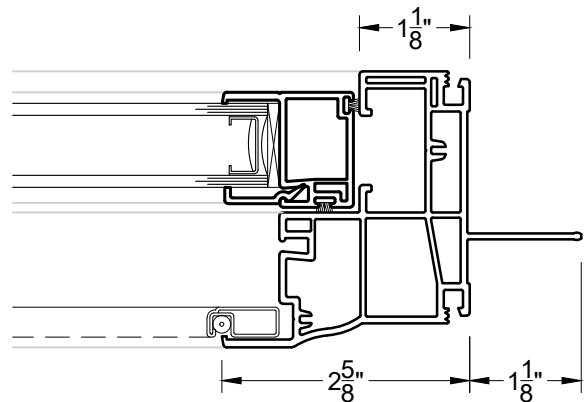
① HEAD
340 HOPPER DOWN



② SILL
340 HOPPER DOWN

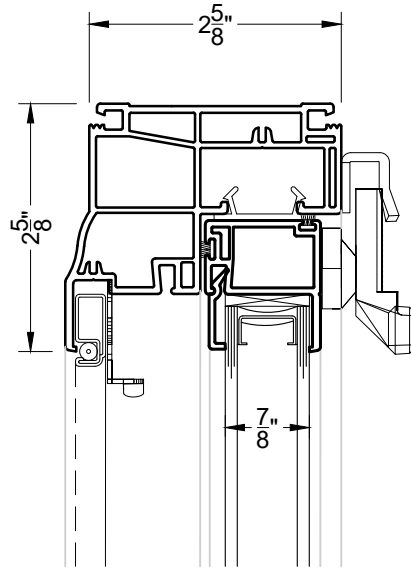


③ STANDARD JAMB
340 HOPPER DOWN

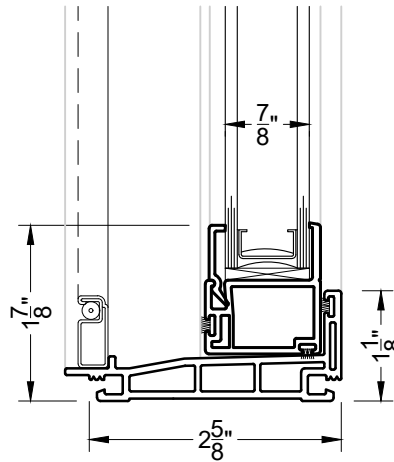


④ STANDARD JAMB
340 HOPPER DOWN

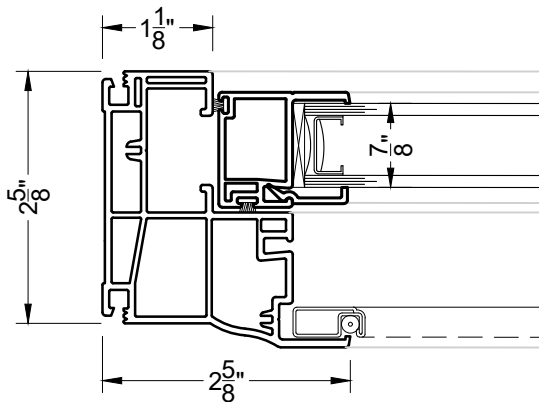
VER: 2019.12



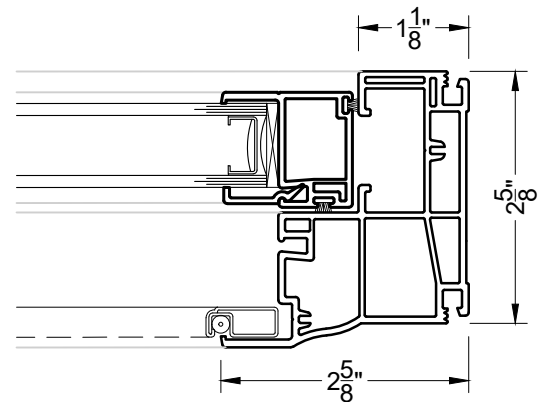
①A HEAD W/O NAILING FIN
 340 HOPPER DOWN
 FOR REPLACEMENT
 CONSTRUCTION OR
 MULLED UNIT



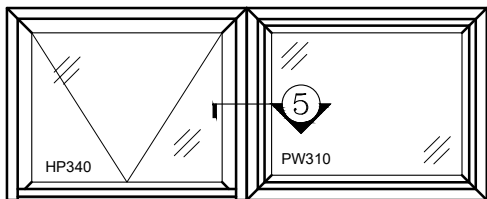
②A SILL W/O NAILING FIN
 340 HOPPER DOWN



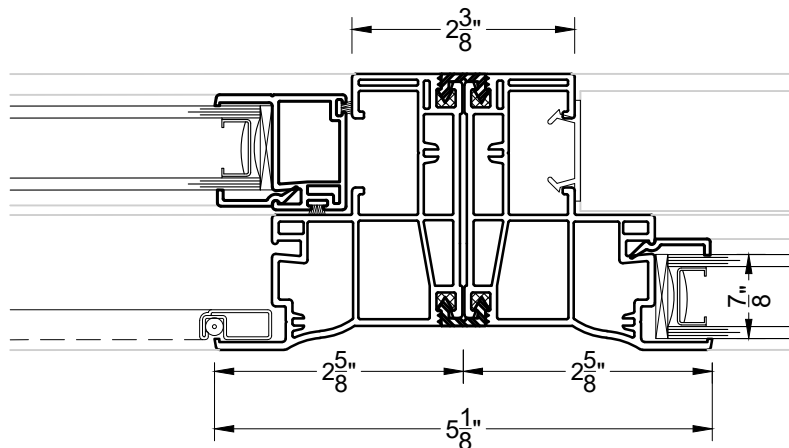
③A JAMB W/O NAILING FIN
 340 HOPPER DOWN



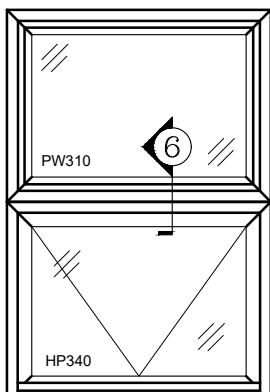
④A JAMB
 340 HOPPER DOWN



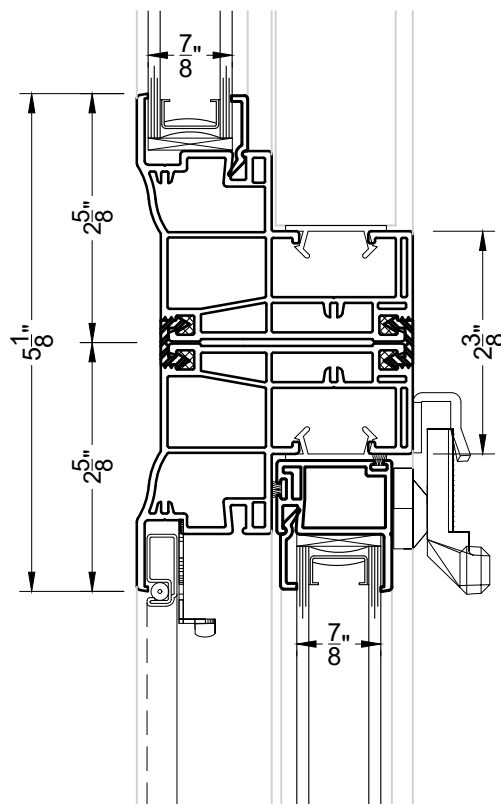
340 HOPPER DOWN & PW310



⑤ 0 DEGREE MULLION
 HP340 & PW310



PW310 OVER HP340



⑥ 0 DEGREE MULLION
 PW310 OVER HP340