

VINYL SERIES 245 AWNING WINDOWS

TEST SIZE W x H	AAMA RATING	AIR INFILTRATION	DESIGN PRESSURE	WATER RESISTANCE	U-VALUE	SHGC	VT
47.5" x 31.5"	LC-PG50	≤0.30 cfm/ft ²	50 psf	7.5 psf	0.21-0.42	0.16-0.51	0.29-0.52

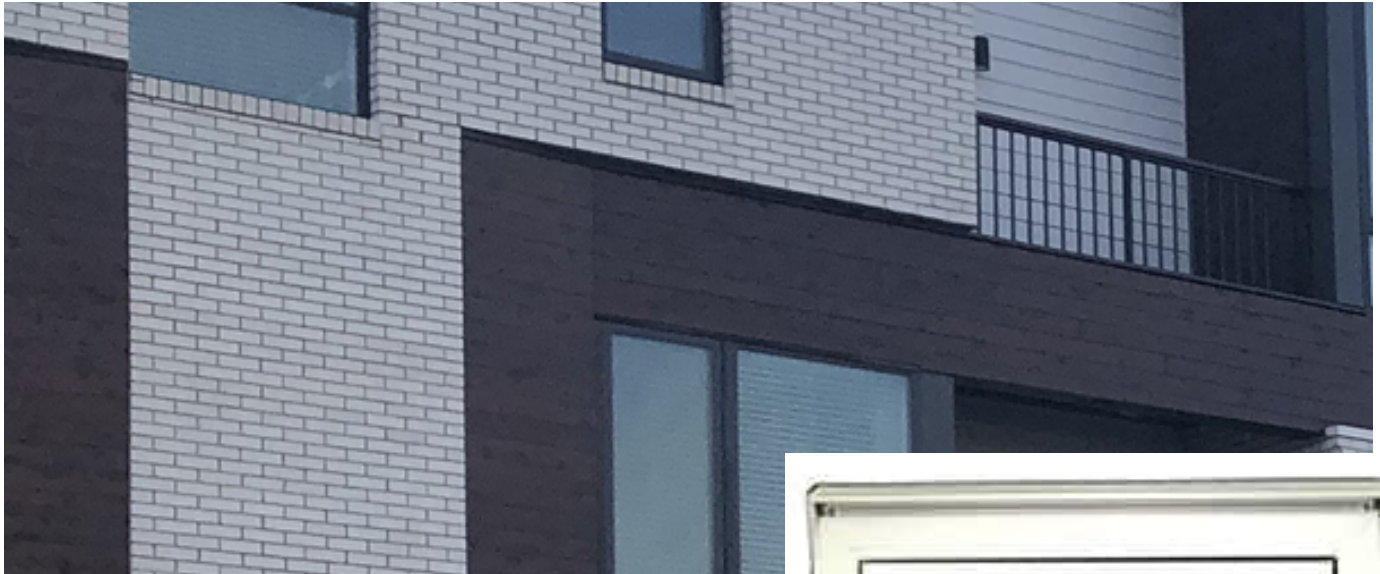


TABLE OF CONTENT

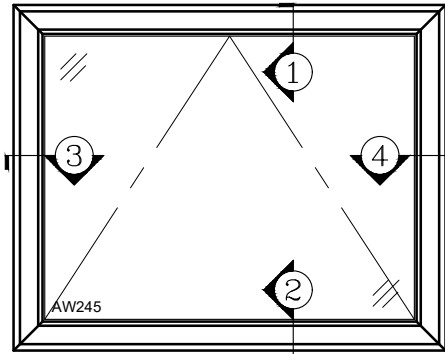
- INTRODUCTION -P1
- SECTION DETAILS -P2
- MULLION -P3-P5

FEATURES

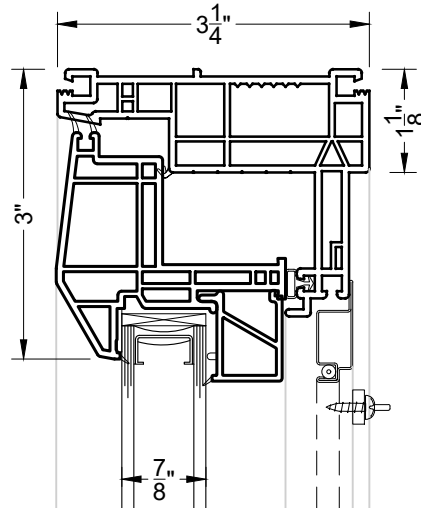
- 3-1/4" FRAME DEPTH
- 7/8" INSULATED GLASS
- SOFT COAT LOW-E & ARGON FILLED IGU
- FUSION WELDED FRAME & SASHES
- CONTINUOUS POLYETHYLENE RIGID SEAL
- STRONG MULTI-CHAMBER CONSTRUCTION
- DESIGNER BEVELED SASH
- SINGLE ACTIVATOR WITH FOLDING HANDLE

OPTIONAL SELECTIONS

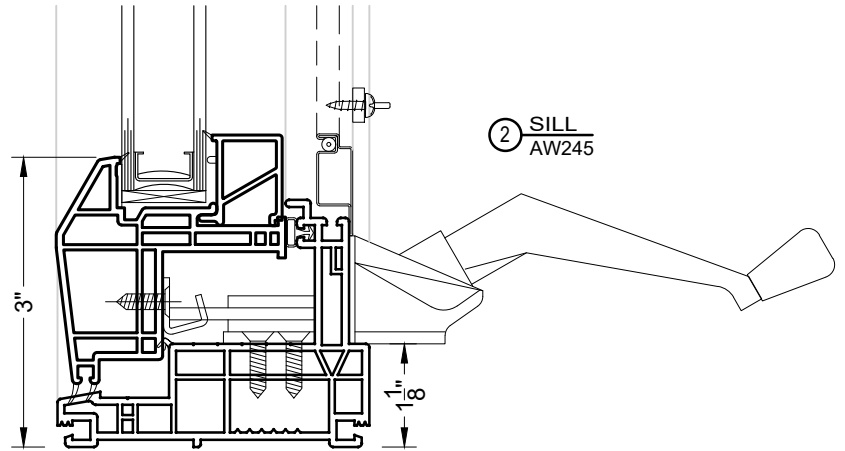
- TRIPLE-GLAZED INSULATED GLASS UNIT
- PERFORMA TC™ HIGH PERFORMANCE LOW-E UPGRADE
- BETWEEN THE GLASS OR EXTERIOR APPLIED GRIDS
- PAINTED EXTERIOR CUSTOM COLOR
- EXTRUDED BEIGE COLOR
- NAILING FIN ATTACHMENT
- SNAP-ON J-CHANNEL



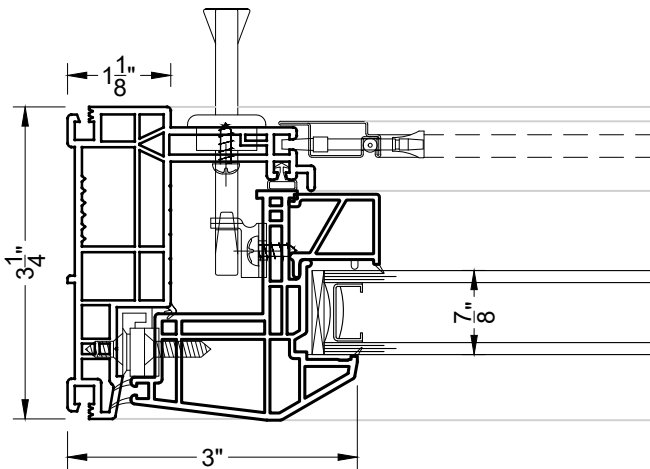
245 AWNING WINDOW



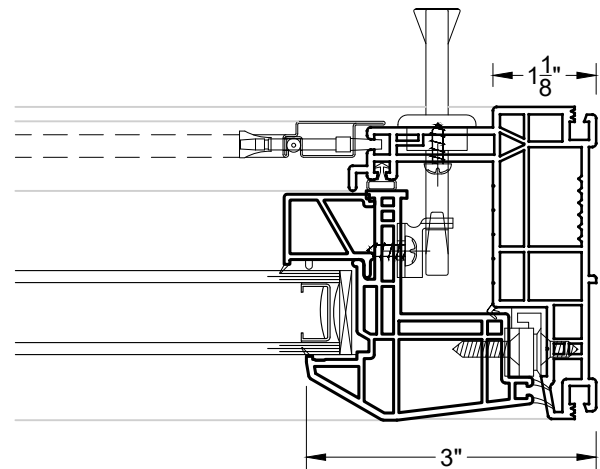
① HEAD
AW245



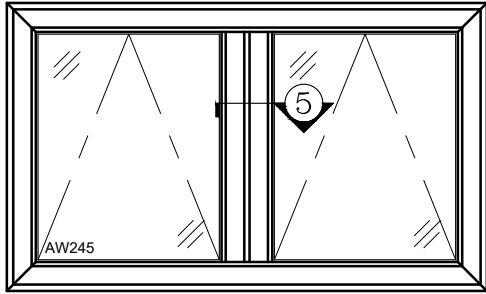
② SILL
AW245



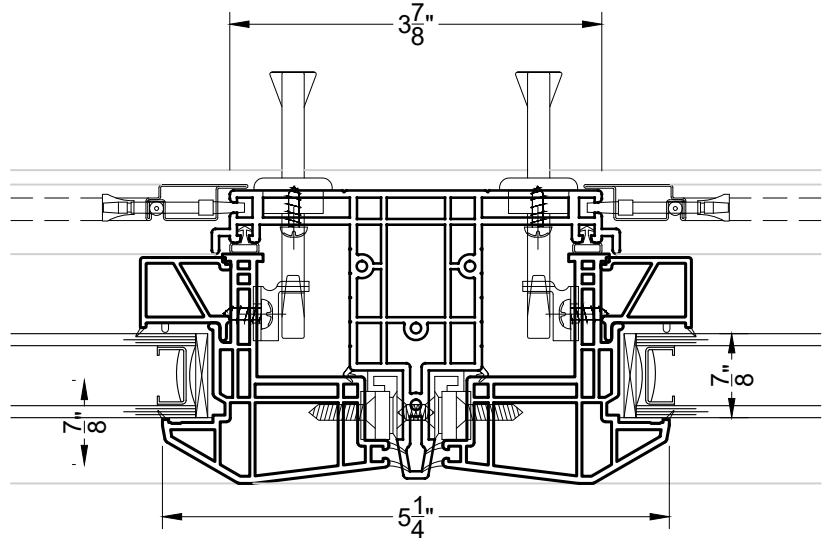
③ JAMB
AW245



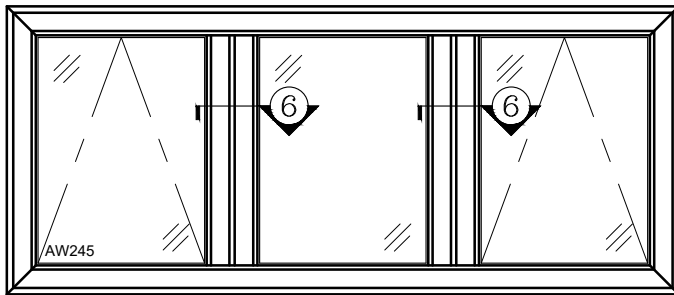
④ JAMB
AW245



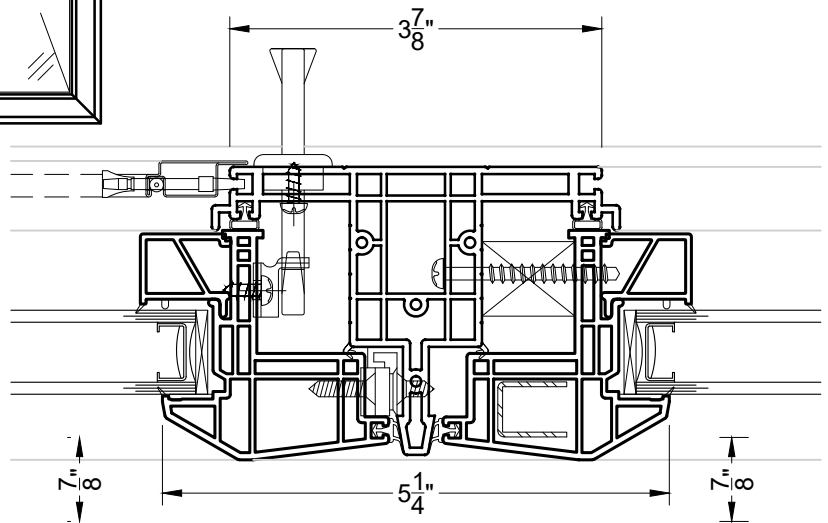
245 AWNING CONTINUOUS MASTER
 FRAME TWO LITE



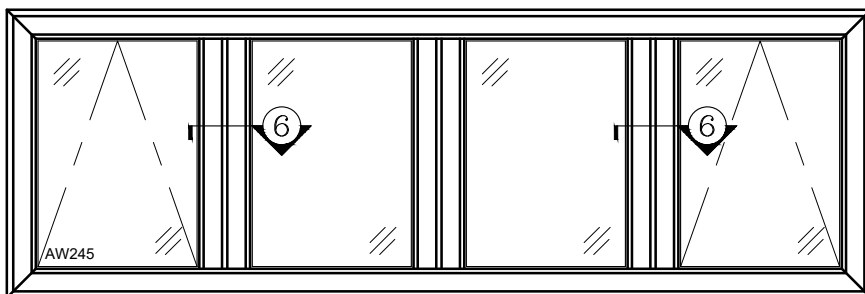
⑤ T JAMB MULLION
 AW245 & AW245



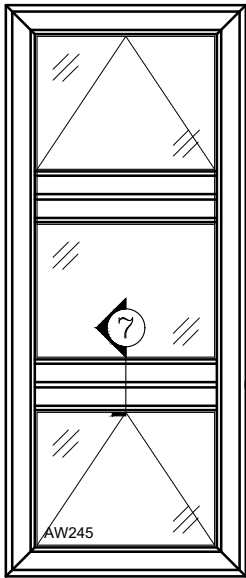
245 AWNING CONTINUOUS MASTER FRAME
 THREE LITE



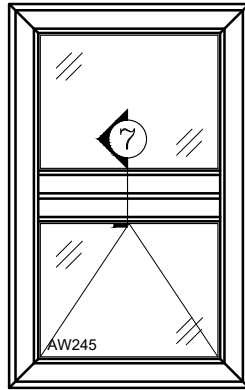
⑥ T JAMB MULLION
 AW245 & FIXED



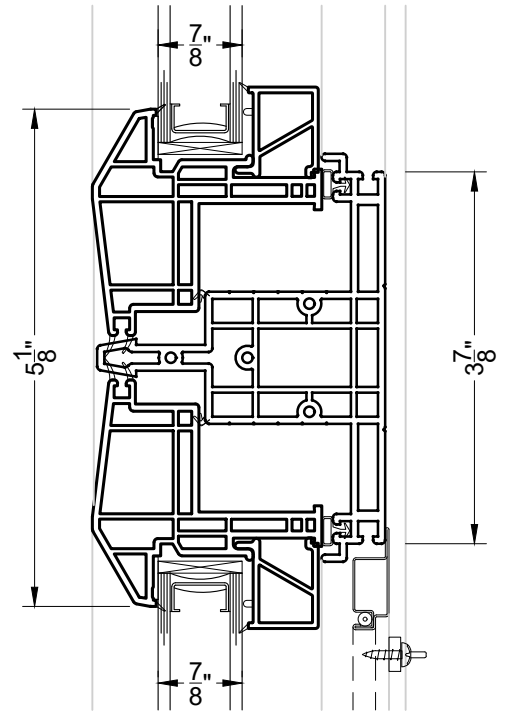
245 AWNING CONTINUOUS MASTER FRAME
 FOUR LITE (UP TO FIVE LITE)



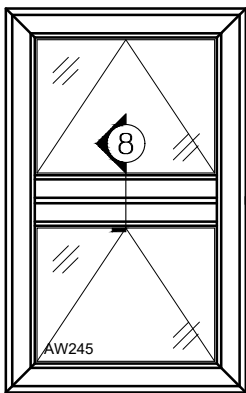
245 AWNING
 CONTINUOUS FRAME



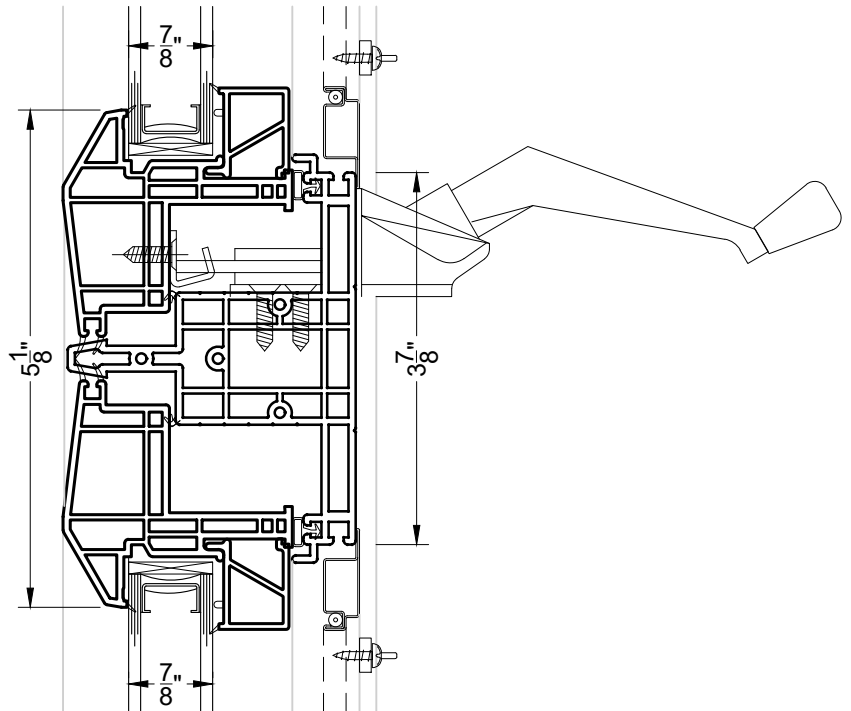
245 AWNING
 CONTINUOUS FRAME



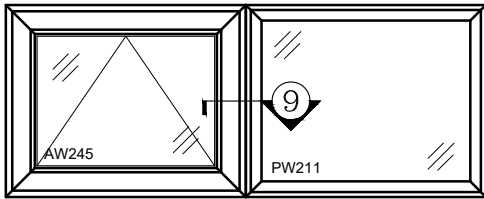
7 T MULLION
 FIXED OVER AW245



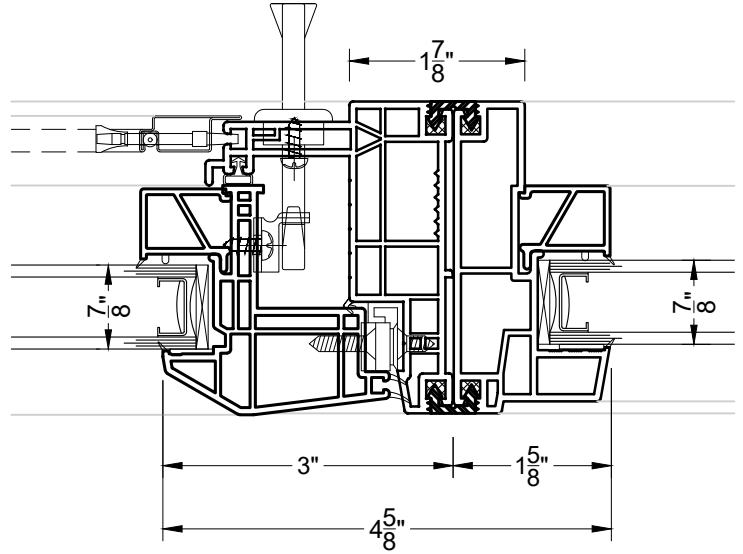
245 AWNING
 CONTINUOUS FRAME



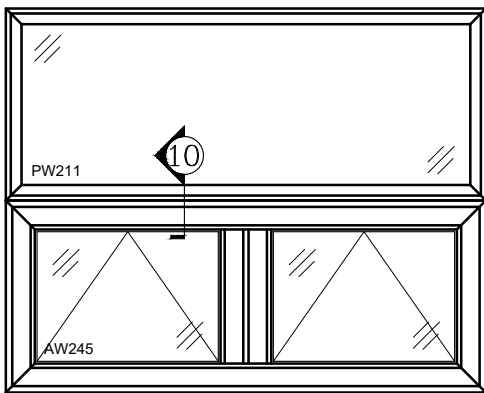
8 T MULLION
 AW245 OVER AW245



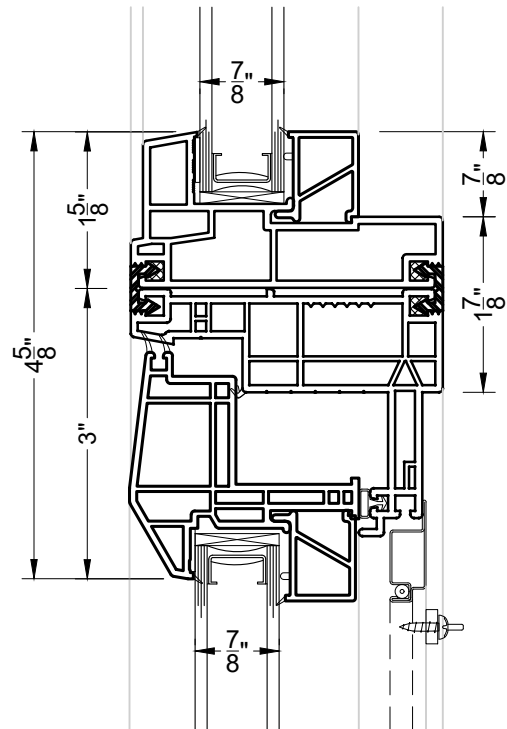
245 AWNING & PICTURE WINDOW 211



9 0 DEGREE MULLION
 AW245 & PW211



PW 211 OVER AW245



10 0 DEGREE MULLION
 PW211 OVER AW245