

VINYL SERIES 320 2⁵/₈" SLIDER WINDOWS

TEST SIZE W x H	AAMA RATING	AIR INFILTRATION	DESIGN PRESSURE	WATER RESISTANCE	U-VALUE	SHGC	VT
63" x 43.5"	R-PG35	≤0.30 cfm/ft ²	35 psf	5.25 psf	0.23-0.48	0.19-0.63	0.45-0.65



TABLE OF CONTENT

- INTRODUCTION -P1
- TWO LITE SLIDER -P2-P3
- THREE LITE SLIDER -P4
- MULLION -P5

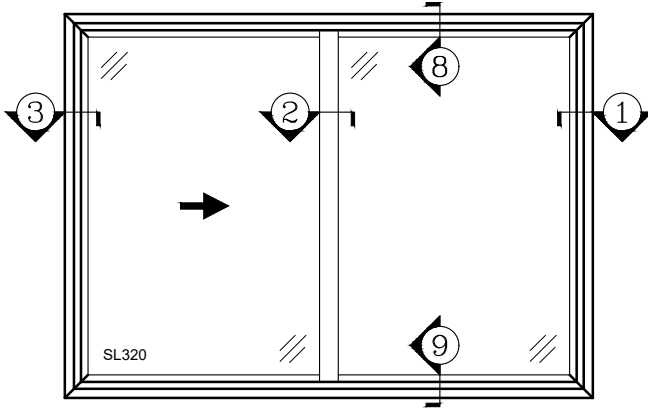
FEATURES

- 2-5/8" FRAME DEPTH
- 7/8" INSULATED GLASS
- SOFT COAT LOW-E & ARGON FILLED IGU
- CORROSION-RESISTANT TWO-WHEEL BRASS ROLLERS
- FUSION WELDED FRAME & SASHES
- REMOVABLE SASHES - SAFE, EASY CLEANING OF BOTH SASHES
- DOUBLE-SEAL WEATHER STRIPPING
- ONE SIDE SEALED SASH
- INTEGRAL NAILING FIN

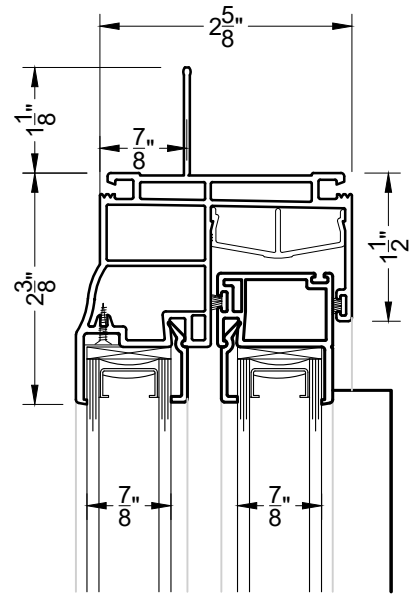


OPTIONAL SELECTIONS

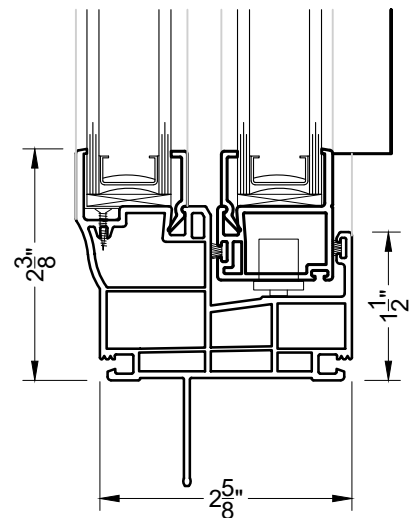
- TRIPLE-GLAZED INSULATED GLASS UNIT
- PERFORMA TC™ HIGH PERFORMANCE LOW-E UPGRADE
- BETWEEN THE GLASS OR EXTERIOR APPLIED GRIDS
- EXTRUDED BEIGE COLOR
- PAINTED EXTERIOR CUSTOM COLOR
- APPLIED J-CHANNEL
- DURALITE® SPACER



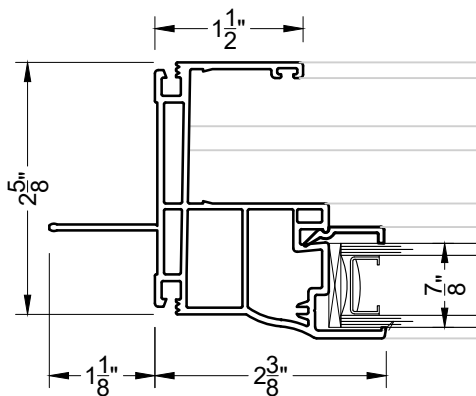
320-2 TWO-LITE SLIDER



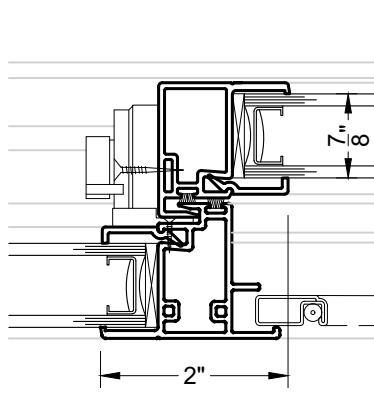
④ HEAD
SL320



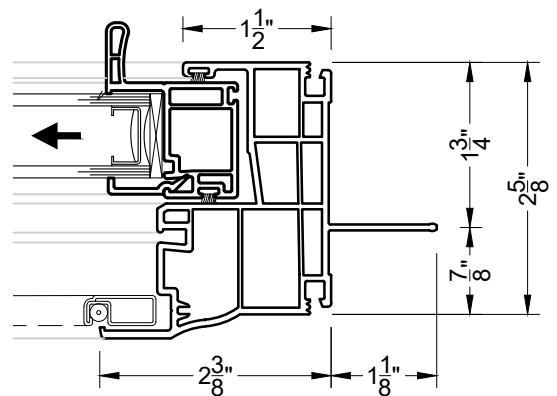
⑤ SILL
SL320



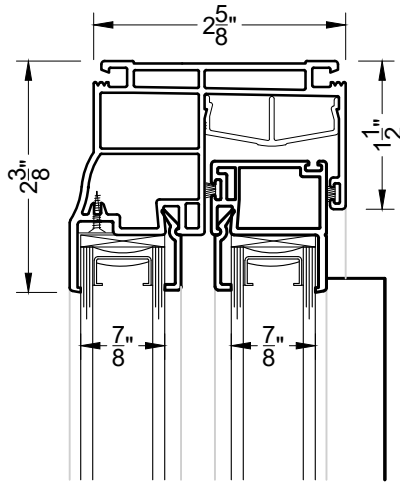
① JAMB AT FIXED SIDE
SL320



② MEETING RAIL
SL320

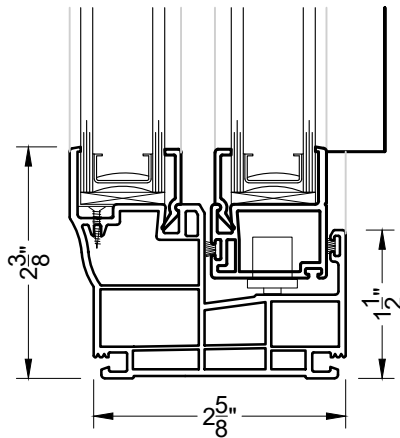


③ JAMB AT OPEARABLE
SL320



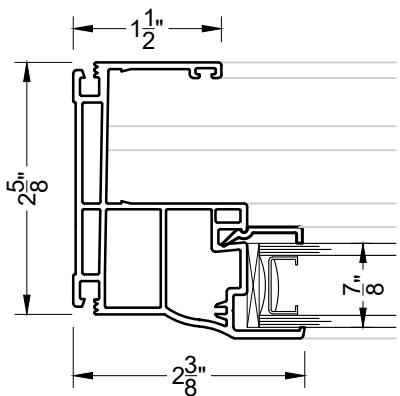
④A HEAD W/O NAILING FIN
 SL320

FOR REPLACEMENT
 CONSTRUCTION
 OR MULLED UNIT

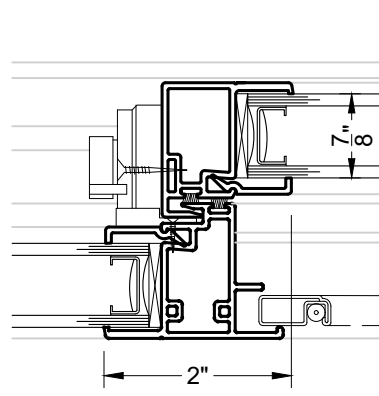


⑤A SILL W/O NAILING FIN
 SL320

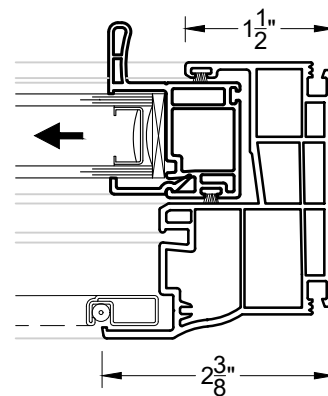
FOR REPLACEMENT
 CONSTRUCTION
 OR MULLED UNIT



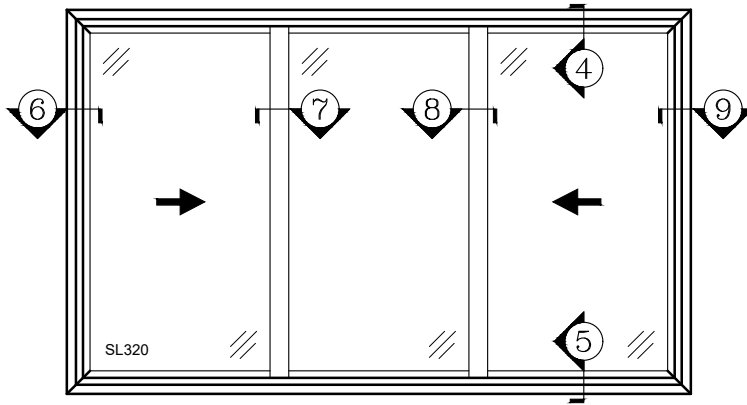
①A JAMB W/O NAILING FIN
 SL320



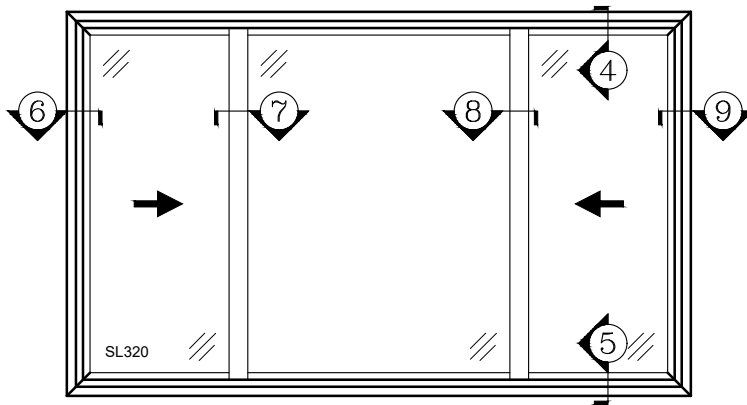
② MEETING RAIL
 SL320



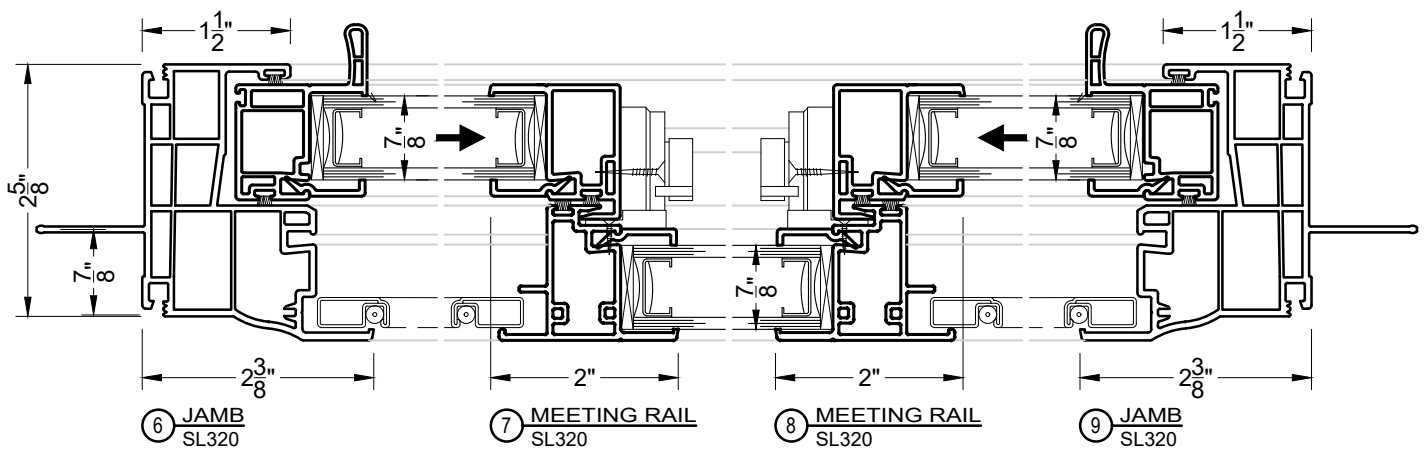
③A JAMB W/O NAILING FIN
 SL320



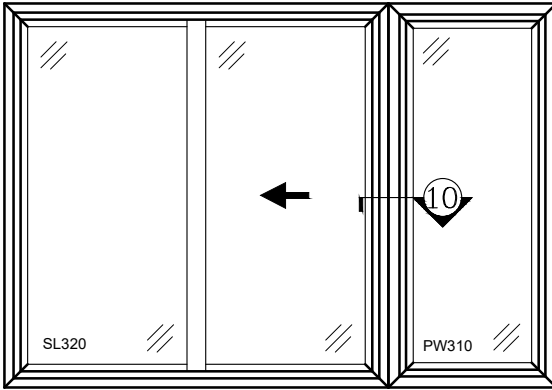
320-3 THREE-LITE SLIDER X-O-X
 (EQUAL 1/3, 1/3, 1/3)



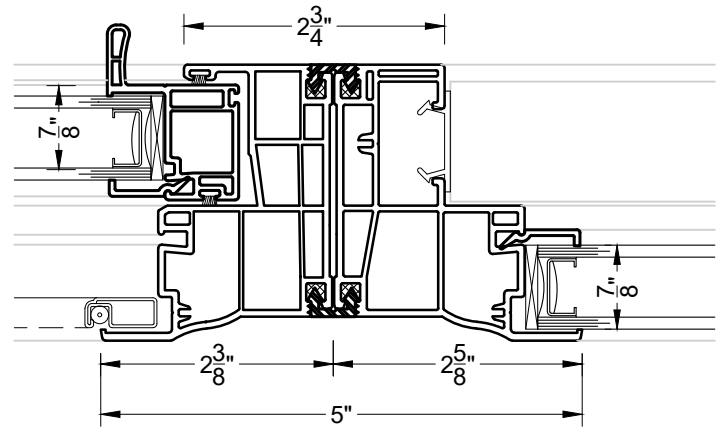
320-3 THREE-LITE SLIDER X-O-X (UNEQUAL)



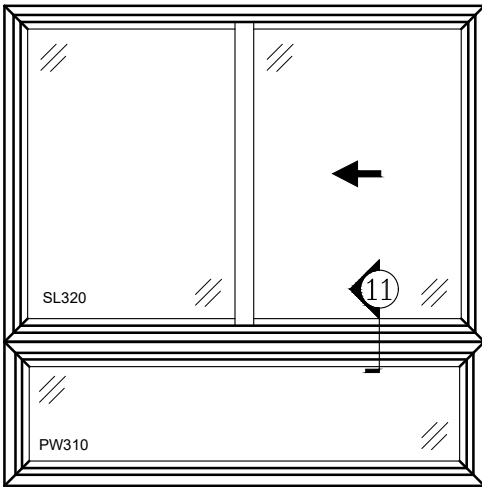
VER: 2020.08



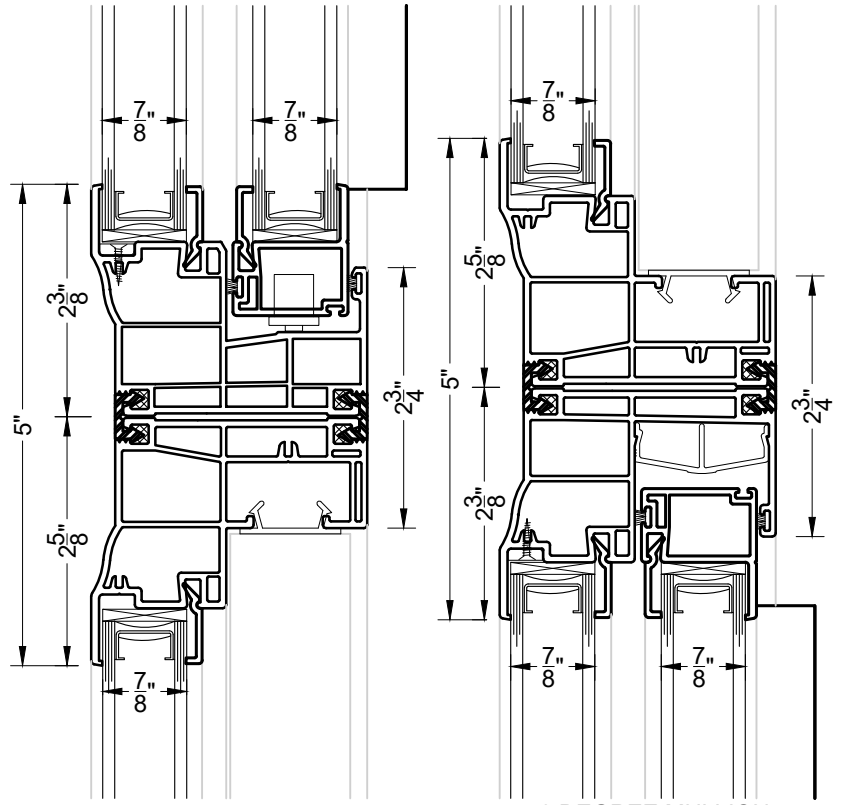
320-2 TWO-LITE SLIDER & PW310



10 0 DEGREE MULLION
 SL320 & PW310

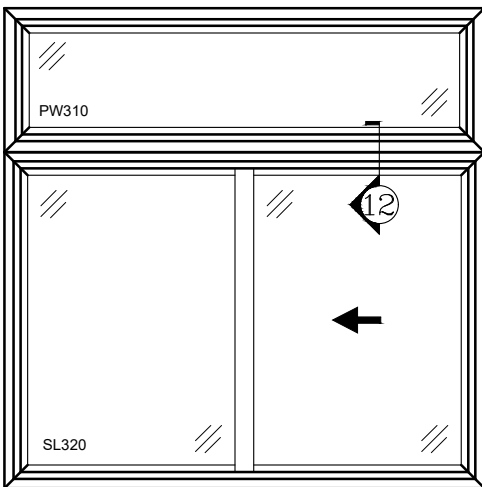


320-2 TWO-LITE SLIDER OVER PW310



11 0 DEGREE MULLION
 SL320 OVER PW310

12 0 DEGREE MULLION
 PW310 OVER SL320



PW310 OVER 320-3 THREE-LITE SLIDER